

## VII. Warning Items

Product in the long-term start-up operation or use in the presence of someone, such as long-term or personnel leave, out of the plug please pull up.

- There are still parts of the standby power on state, due to insulation deterioration or leakage of electricity caused by fire.

Do not spray volatile oils, paints, insecticides on products.

- Can cause electric shocks, fire accidents.

Be sure to pull off the plug when you are not in use for a long time or when you are out of town.

- Some of them are still energized during standby and may cause fire accidents due to insulation cracking or leakage.
- Do not pull off the power cord when pulling off the plug. Always pull it off the plug.

Please make sure to plug in the power cord before use.

- Make sure that the plug fits tightly with the socket. There must be no loosening or incomplete insertion.

Do not use sockets other than the voltage on rating label.

- The use of power sources other than the voltage indicated on rating label, or sockets with insufficient current is the main cause of fire.

Do not trample on the power cord

- Damage to the power cord or socket is the cause of leakage and burns. If the power cord is damaged, it must be replaced by the manufacturer or his service office or a similarly qualified person to avoid danger.

Switch off the power when you are out or sleeping at night

- The utility model can avoid the fire accident caused by the wiring personalization and can save electricity.

Do not allow products to be inhaled or put into combustible substances! And shall not be used where mechanical oil composition floats

- It can cause cracks, odors and fire accidents.

Do not use wet places such as bathrooms.

- Can cause poor insulation. Causing a leakage or malfunction.

Do not use damaged power cords or plugs

- This is the cause of electric shock, short circuit and fire.

Do not use multiple power cord sockets

- Do not overheat or cause fire hazards by using extension cord sockets or sharing power sockets with other electrical appliances.

Do not unplug the power cord with a wet hand

- Do not risk electric shock by unplugging the plug with a wet hand when the power supply needs to be unplugged.

## VIII. Fault Analysis

Fault phenomenon	Cause Analysis	Exclusion Methods
No power	1.The power cord is not plugged in. 2.The stirring cup and the main engine are not assembled properly.	1.Check the power cord to make sure it is plugged in. 2.Make sure that the mixing cup and the main machine are installed properly.
The blender stops during operation	1.Long working hours, motor overheat protection. 2. Motor gets overload protection	1.Wait an hour before reusing. 2.Press the overload reset button at bottom of motor base.

## Note

Above are common trouble analysis and troubleshooting methods. For other troubles, please contact our customer service department, do not dismantle and repair yourself.



Do not dispose of electric appliances as unsorted municipal waste, use separate collection facilities.

Contact your local government for information regarding the collection systems available.

If electrical appliances are disposed of in landfills or dumps, hazardous substances can leak into the groundwater and get into the food chain, damaging your health and well-being.

## IX. Important Guide

**Automatic Overload Protection:** Your OMMO blender motor is designed to protect itself from overheating. If the motor shuts off, follow these instructions:



- Reduce the quantity of the ingredients in your container.
- Press the overheat protection reset button under the motor base.
- Turn off the machine for up to 20 minutes to reset. Reset time will be extended if high room temperatures exist. To reduce the reset time, unplug the machine, remove the jug and blow air into the center section of the bottom with a fan or hair dryer on the cool setting.
- Blend on higher speed to avoid overheating. Blending on a low or medium speed can cause overheating.

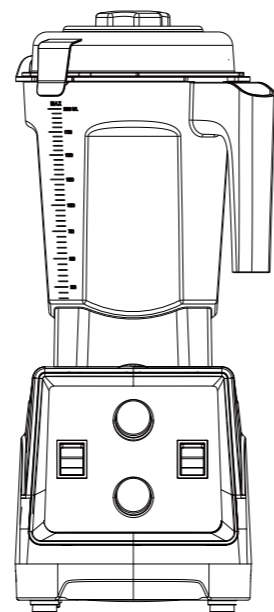
## CONTACT INFORMATION

Website: [www.ommohome.com](http://www.ommohome.com)

E-mail: [service@ommohome.com](mailto:service@ommohome.com)



## High Speed Blender Operating manual HS-226D

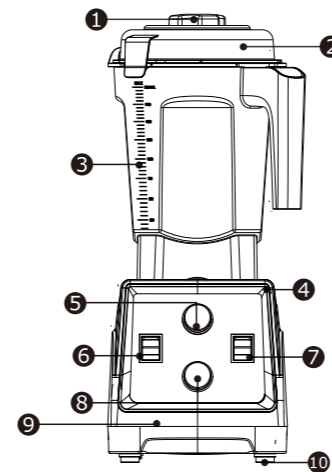


- ◆ Thank you for your trust and support to our products!
- ◆ Please use the corresponding model. The product is subject to the material object.
- ◆ Please read this manual carefully before use and save it for future reference.

## Introduction

Thank you for choosing our High Speed Blender. All the staff of our company will serve you wholeheartedly. In order to use this machine correctly and effectively, please read this manual carefully before using.

## I. Major Component Name



- ① Steam cap
- ② Cup cap
- ③ Mixing cup
- ④ Cup mat
- ⑤ Speed control knob
- ⑥ Start switch
- ⑦ Pulse switch
- ⑧ Time control knob
- ⑨ Base bottom
- ⑩ Rubber feet

## II. Points for Attention

- Do not put metal objects such as knives, forks, spoons, etc. into the cup.
- When cleaning, do not clean the knife directly by hand. If you use cleaning tools, please pay attention to safety.
- The contents of the cup should not be too full. Do not exceed two thirds of the capacity of the cup. Please close the lid of the cup when using.
- Before starting, make sure the cup is on the base. It is completely fixed on.
- Because of the high horsepower, please hold the cup slightly when you start to use it.
- Be sure to cover the cup when using the stirring bar while the motor is running.
- Whether the cup is placed on the table or not. Do not use your hand to fetch food from that cup because the blade is sharp and easy to cut.
- To pour food out, remove the cup from the frame.
- Be careful to touch the switch before and after start-up.
- Mixing cup can immersed in water



Care should be taken when handling cutting blades especially when removing blades from containment cups, emptying containment cups, and during cleaning

## III. Safety Matters

- Remember to pull off the plug when not in use.
- Do not lift the lid of the cup until the stirring knife has completely stopped rotating.
- Be sure to separate the frame from the cup when cleaning and make sure to pull off the plug first.
- Do not immerse the motor base in water or put it in the dishwasher for cleaning.
- Keep a proper distance to prevent the child from improper movement and causing danger when the child is not allowed to be nearby during the start-up.
- If the power cord is damaged, it must be replaced by a professional in the manufacturer's maintenance department or similar department in order to avoid danger.

## IV. Main Technical Parameters

Rated voltage: AC110V~120V

Rated frequency: 60Hz

Power: 1400W

Peak power: 1800W

Rated capacity: 2.0L

## V. Cleaning and Maintenance Methods

- Always pull off the plug when cleaning and maintaining.
- Carefully scrub the cup body and lid with a sponge or cloth and dry.
- Do not put your hand into the cup when cleaning.
- Wipe the rotating shaft and motor base with a dry cloth (Remember: do not rinse with water).
- If it is not easy to wipe, wipe it with neutral lotion, and then wipe it with dry cloth until it is clean.

## VI. Function Introduction

- Plug the appliance into a socket and the system is in the standby state.

### TIME

Turn the knob to select the desired time period. For example, if you choose the number 1, the time period is one minute and the BLENDER starts working for one minute when it is activated. When the time has elapsed, the BLENDER switches off automatically.

### START/STOP

1) Press START/STOP, the BLENDER starts working immediately. Press START/STOP again, it stops working.  
2) When the BLENDER is running, you can rotate SPEED to the desired speed.

### PULSE

Press and hold the PULSE button and the appliance will run at the highest speed. As soon as you release the button, it stop immediately.

### SPEED

1) The speed can be adjusted to your needs while the BLENDER is running.  
2) The speed setting has no effect on PULSE in the default setting.